

GAS TURBINE FLOW METER

10+ years manufacture experience

- ✓ Accurate Measurement
- ✓ Custody Transfer



DASTEC S.R.L.

Representantes / Distribuidores Exclusivos

Argentina

Tel: (+54 11) 5352 2500

Email: info@dastecsrl.com.ar

Web: www.dastecsrl.com.ar



New High-tech
Enterprise



CE



Ex-proof



ISO

APPLICATION

Mainly used for Natural gas, LPG, Coal gas etc.



CLEAN

DRY

SINGLE PHASE

LOW VELOCITY

Widely used in various industries



Natural gas transmission



Urban gas industry



Petrochemical industry



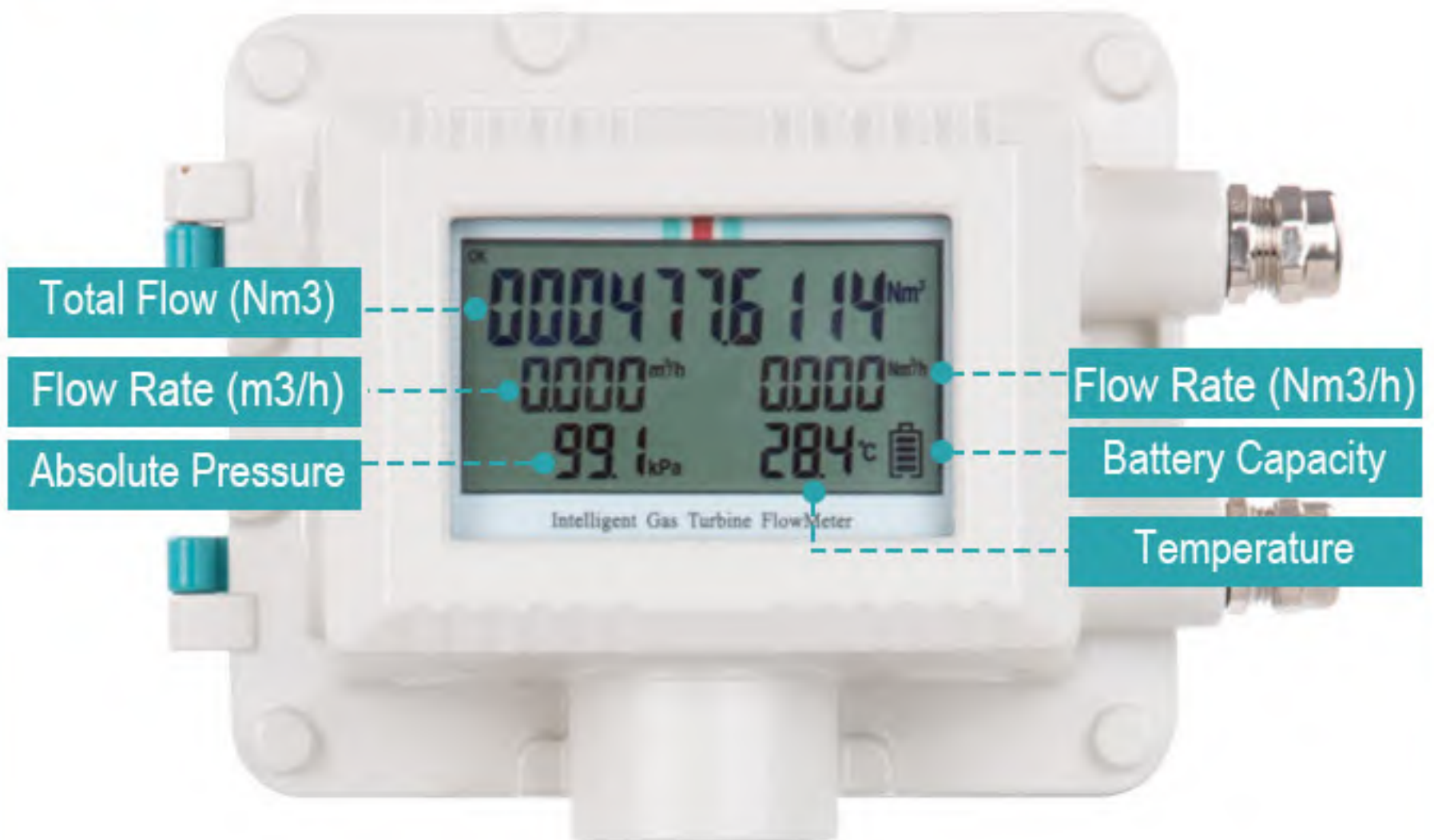
Electric power industry

DETAILS

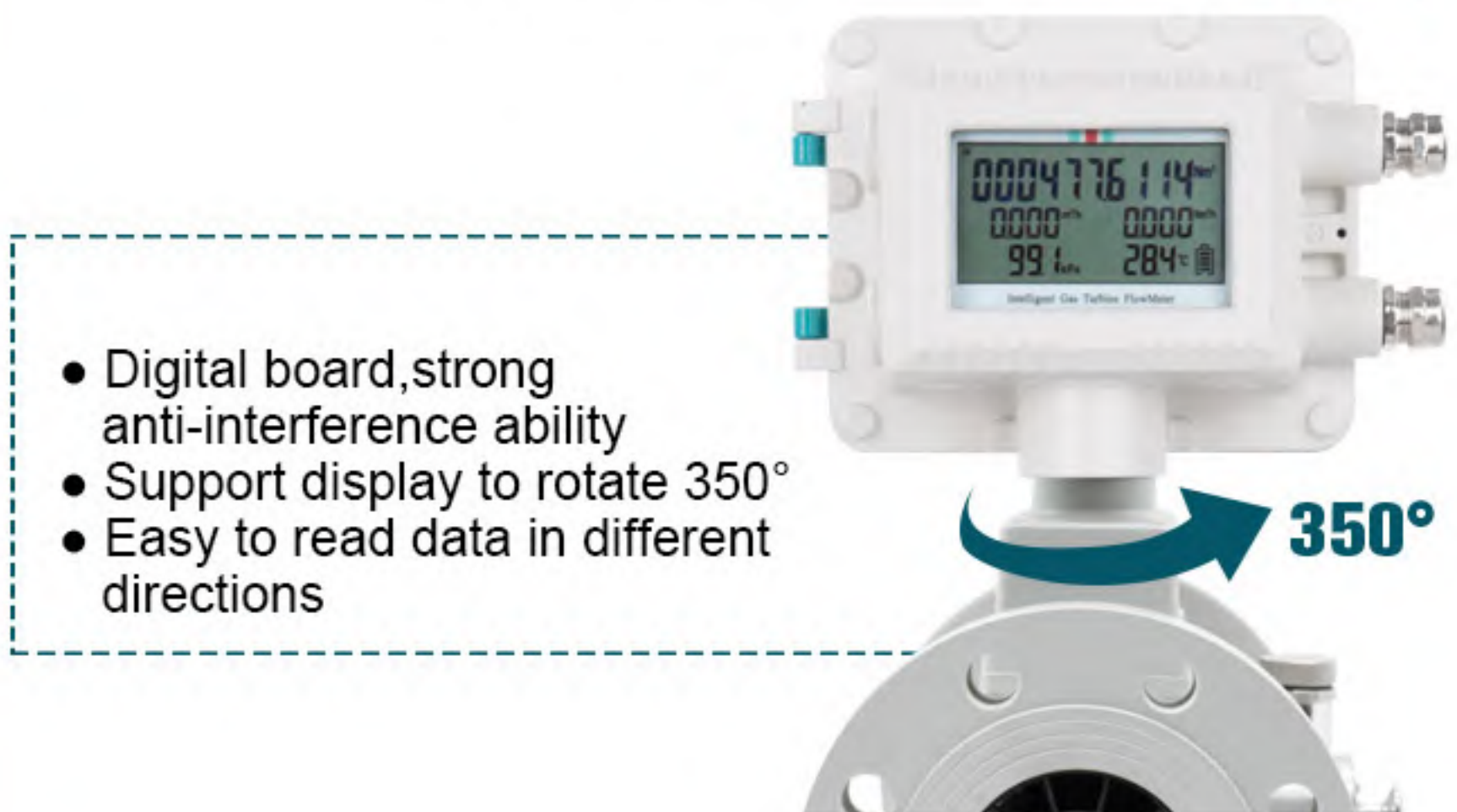


1

LCD HD DISPLAY



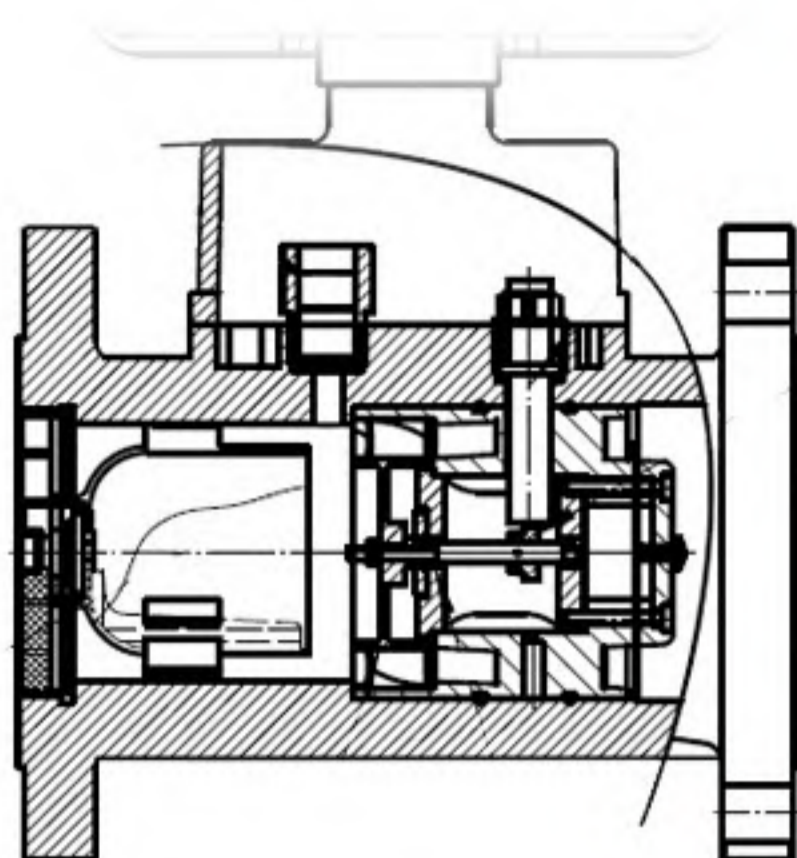
ROTABLE CONVERTER **2**



3 INTELLIGENT VOLUME CORRECTOR

Built-in Temperature & Pressure Sensor

- Dynamic detect temperature & pressure data
- Automatic T&P compensation
- Compression factor correction



DUAL POWER 4



• External Power DC24V

• Internal 3.6V Lithium Battery

Dual Power Supply

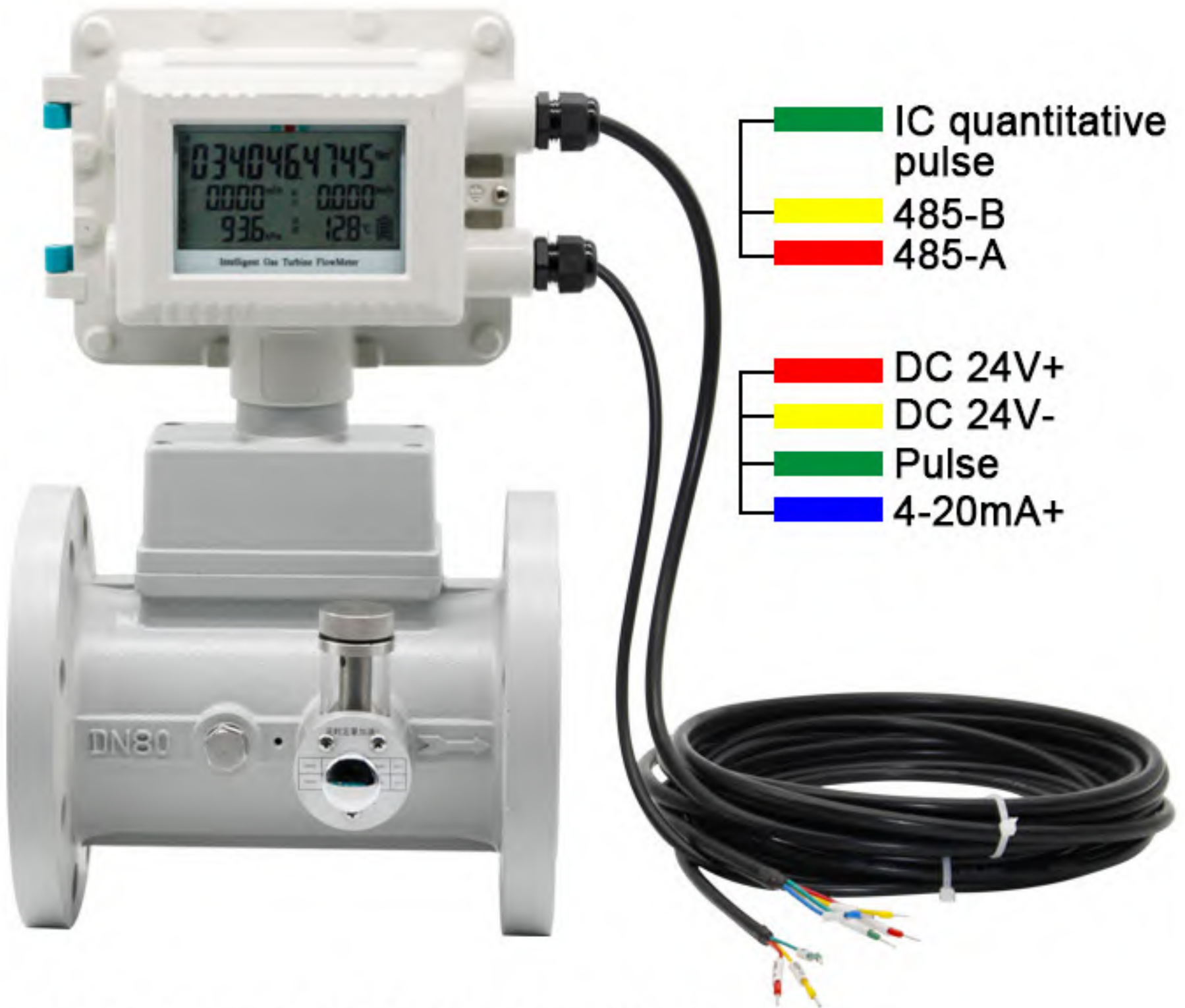
- Micro-power consumption <1mW, Battery work life 5 years

Flash Data Storage Technology

- Parameters long term preservation while power failure

5

MULTIPLE OUTPUT



- Output signal: 4-20mA, pulse, RS485 and alarm
- IC card quantitative pulse signal

ALUMINUM ALLOY IMPELLER

6



- High strength, anti-corrosive
- Good anti-aging performance
- High accuracy, good repeatability

7

RECTIFIER STRUCTURE

- Wide flow ratio 1:40
- Ensure good accuracy under condition of upstream pipe 2D, downstream 1D



SPECIFIC OIL INJECTION STRUCTURE

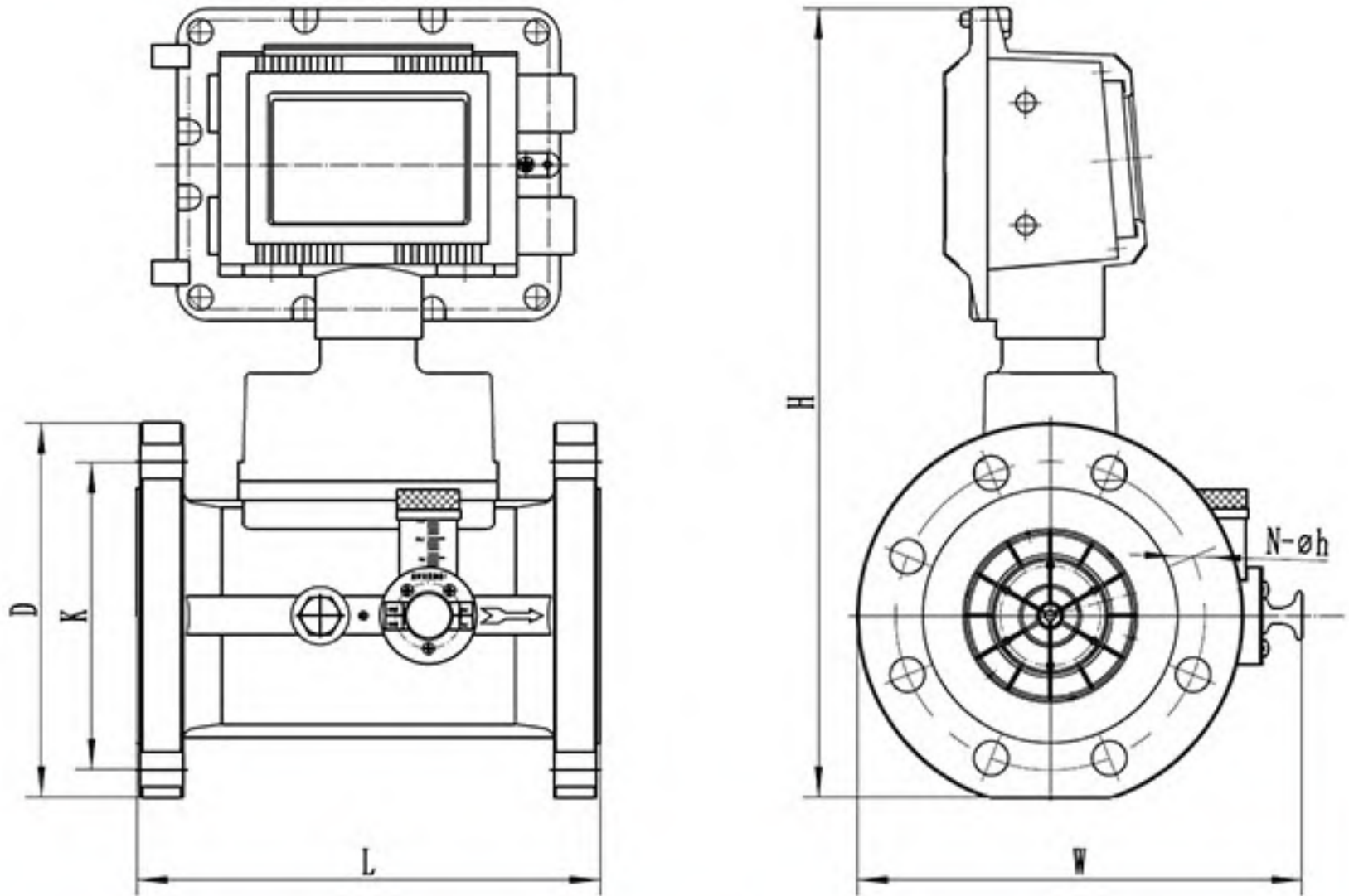
8



Easy oil filling operation

Ensure bearings work smoothly

Dimension

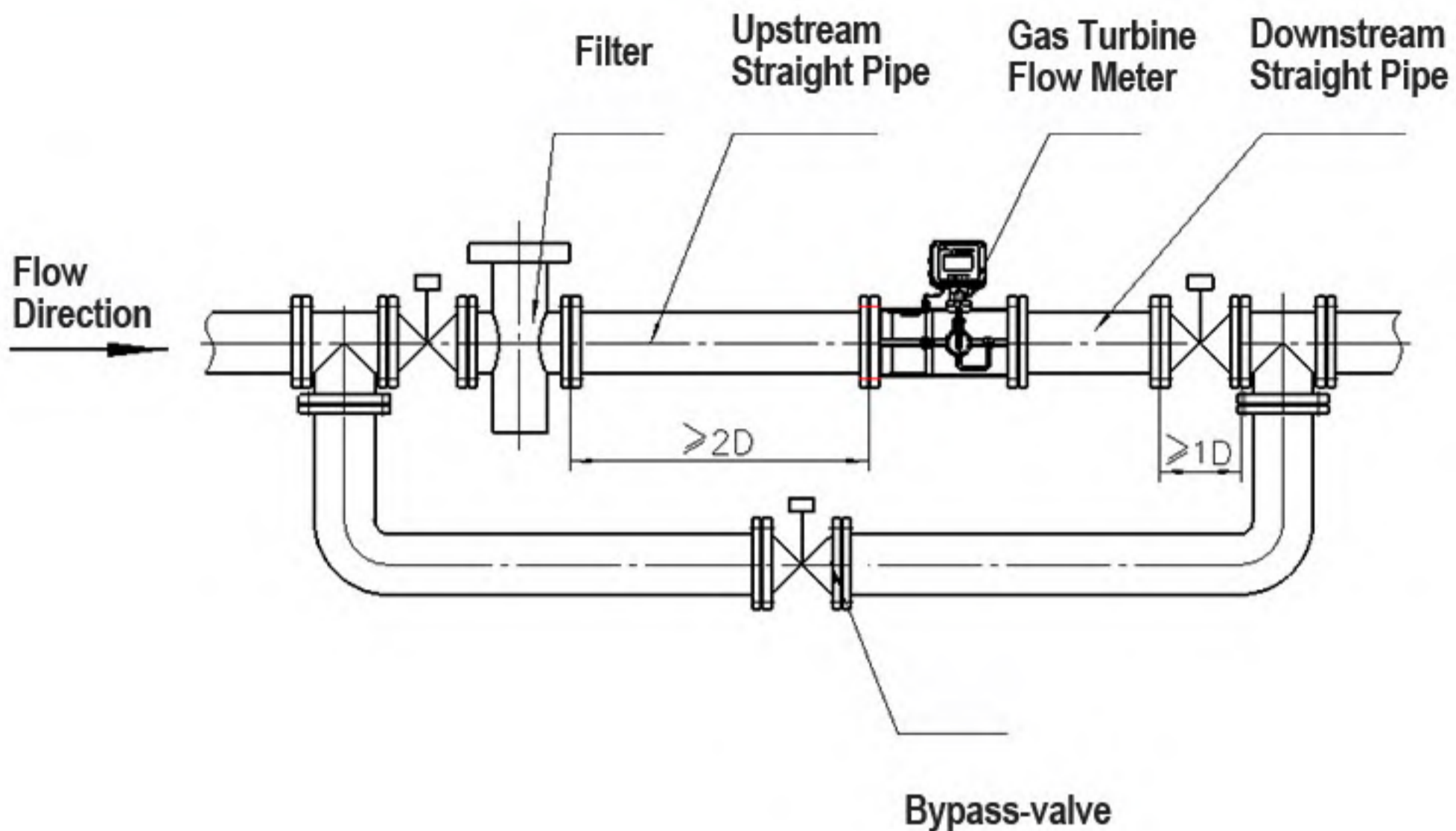


Size	L	D	K	N-Øh	H	W	Remarks
DN25(1")	200	115	85	4-φ14	335	200	1.Flange information according to PN16 GB9113.1-2000 2.Other flanges are available
DN40(1½")	200	150	110	4-φ18	365	230	
DN50(2")	150	165	125	4-φ18	375	275	
DN80(3")	240	200	160	8-φ18	409	280	
DN100(4")	300	220	180	8-φ18	430	285	
DN150(6")	450	285	240	8-φ22	495	370	
DN200(8")	600	340	295	12-φ22	559	390	
DN250(10")	750	405	355	12-φ26	629	480	
DN300(12")	900	460	410	12-φ26	680	535	
DN400(16")	1200	580	525	16-φ30	793	665	

Flow Range

DN (mm/inch)	Model	Flow specification	Flow range (m ³ /h)	Qmin (m ³ /h)	Max.pressure loss (Kpa)	Shell material	Weight(kg)	
DN25(1")	QTWG-25(A)	G50	5-50	≤1	1	≤1.6MPa Aluminum Alloy	7	
DN40(1½")	QTWG-40(A)	G60	6-60	≤1	1		8	
50(2")	QTWG-50(A)	G40	6.5-65	≤1.3	0.9		8.5	
	QTWG-50(B)	G65	8-100	≤1.6	0.8			
	QTWG-50(C)	G100	10-160	≤2.4	2.0			
80(3")	QTWG-80(A)	G100	8-160	≤2.4	1.0		9.5	
	QTWG-80(B)	G160	13-250	≤3.0	1.6			
	QTWG-80(C)	G250	20-400	≤5.0	2.0			
100(4")	QTWG-100(A)	G160	13-250	≤3.3	1.0		≥2.0MPa Carbon steel or SS304	15
	QTWG-100(B)	G250	20-400	≤4.2	1.6			
	QTWG-100(C)	G400	32-650	≤6.7	1.8			
150(6")	QTWG-150(A)	G400	32-650	≤7.8	1.6	27		
	QTWG-150(B)	G650	50-1000	≤10	2.0			
	QTWG-150(C)	G1000	80-1600	≤12	2.3			
200(8")	QTWG-200(A)	G650	50-1000	≤13	1.6	45		
	QTWG-200(B)	G1000	80-1600	≤16	2.0			
	QTWG-200(C)	G1600	130-2500	≤20	2.2			
250(10")	QTWG-250(A)	G1000	80-1600	≤20	1.2	Carbon Steel or SS304	128	
	QTWG-250(B)	G1600	130-2500	≤22	2.0			
	QTWG-250(C)	G2500	200-4000	≤25	2.3			
300(12")	QTWG-300(A)	G1600	130-2500	≤22	1.6	265		
	QTWG-300(B)	G2500	200-4000	≤25	2.0			
	QTWG-300(C)	G4000	320-6500	≤35	2.3			
400(16")	QTWG-400(A)	G1600	300-2500	≤25	1.8	380		
	QTWG-400(B)	G2500	500-4000	≤35	2.0			
	QTWG-400(C)	G4000	600-8000	≤40	2.3			

INSTALLATION



STRICT FLOW CALIBRATION



- Advanced DN15-300mm sonic nozzle gas flow calibration system
- Each flow meter is calibrated and attached with calibration certificate

CERTIFICATE

Professional Manufacture Quality Assurance



Gas Turbine Flow Meter Ex-proof



Gas Turbine Flow Meter CE



More than 100 patents

Packing Of Products



From wrapping to packing, we take care of every process to ensure safe delivery.

Enter the finished product warehouse and wait for transportation

Trade Show

Rich experiences in exhibition

